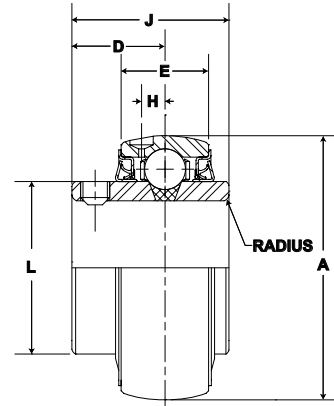


# PN Gold Mounted Ball Bearings



**Duty:** Standard  
**Lock:** Setscrew  
**Seal:** HPS  
**Temperature:** -20° to 220°F



## PN Series Insert Setscrew Locking

BORE DIAMETER		PART No.	BASIC DYNAMIC RATING lb/N	DIMENSIONS inch/mm								SETSCREW TAP	UNIT Wt. lb/kg
inch	mm			A	D	E	G	H	J	L	MAX RAD. TO CLEAR		
3/4	-	PN-12	2611	1.8504	23/32	5/8	3/16	9/64	1 7/32	1 3/16	.040	1/4-28	.5
-	20	PN-204	11614	47	18.3	15.9	4.8	3.6	31.0	30.2	1.02		.23
1	-	PN-16	2801	2.0472	13/16	11/16	7/32	11/64	1 3/8	1 3/8	.040	1/4-28	.6
-	25	PN-205	12459	52	20.6	17.5	5.6	4.4	34.9	34.9	1.02		.27
1 3/16	-	PN-19	4381 19488	2.4409 62	7/8 22.2	7/8 22.2	7/32 5.6	7/32 5.6	1 1/2 38.1	1 19/32 40.5	.040 1.02	1/4-28	1.0 .45
1 1/4	-	PN-20R											
-	30	PN-206											
1 1/4	-	PN-20	5782 25720	2.8346 72	1 25.4	15/16 23.8	1/4 6.4	1/4 6.4	1 11/16 42.9	1 55/64 47.2	.040 1.02	5/16-24	1.5 .68
1 3/8	-	PN-22											
1 7/16	-	PN-23											
-	35	PN-207											
1 1/2	-	PN-24	7340 32650	3.1496 80	1 3/16 30.2	1 3/32 27.8	5/16 7.9	19/64 7.5	1 15/16 49.2	2 1/16 52.4	.062 1.57	5/16-24	1.9 .86
-	40	PN-208											
1 11/16	-	PN-27	7889 35092	3.3465 85	1 3/16 30.2	1 3/32 27.8	5/16 7.9	19/64 7.5	1 15/16 49.2	2 19/64 58.3	.062 1.57	5/16-24	2.2 1.00
1 3/4	-	PN-28											
-	45	PN-209											
1 15/16	-	PN-31	7091 31542	3.5433 90	1 9/32 32.5	1 1/8 28.6	3/8 9.5	17/64 6.7	2 1/32 51.6	2 15/32 62.7	.062 1.57	3/8-24	2.4 1.09
2	-	PN-32R											
-	50	PN-210											
2	-	PN-32	9752 43379	3.937 100	1 5/16 33.3	1 3/16 30.2	3/8 9.5	19/64 7.5	2 3/16 55.6	2 23/32 69.1	.080 2.03	3/8-24	2.8 1.27
2 3/16	-	PN-35											
-	55	PN-211											
2 3/8	-	PN-38	11789 52440	4.3307 110	1 9/16 39.7	1 1/4 31.8	7/16 11.1	21/64 8.3	2 9/16 65.1	2 63/64 75.8	.080 2.03	3/8-24	3.7 1.68
2 7/16	-	PN-39											
-	60	PN-212											

Metric dimensions for reference only.

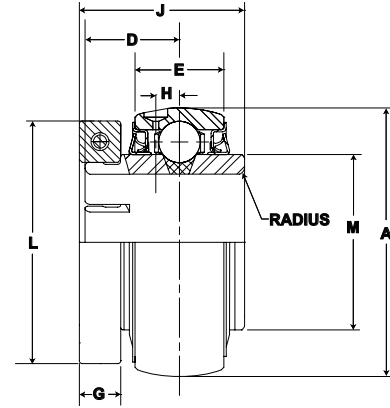
Not all parts are available from stock. Please contact customer service for availability (800) 626-2120.

For more information on bearing capabilities outside of our standard offering, please contact Application Engineering (800) 626-2093.

CRES Bearings



**Duty:** Standard  
**Lock:** Skwezloc Locking Collar  
**Seal:** HPS  
**Temperature:** -20° to 220°F  
**Grease:** Sealmaster GoldPlex-FG



### PN-T Series Insert Skwezloc Locking Collar

BORE DIAMETER		PART No.	BASIC DYNAMIC RATING lb/N	DIMENSIONS inch/mm									TORX CAP SCREW	UNIT Wt. lb/kg	REPLACEMENT COLLAR PART No.
inch	mm			A	D	E	F	G	H	J	L	MAX RAD. TO CLEAR			
3/4	-	PN-12T	2611	1.8504	23/32	5/8	1 3/16	3/8	9/64	1 9/32	1 3/4	.040	8-32 X 5/8	.60	2-012B XYLAN LOCK COLLAR
-	20	PN-204T	11614	47	18.3	15.9	30.2	9.5	3.6	32.5	44.5	1.02		.27	
1	-	PN-16T	2801	2.0472	13/16	11/16	1 3/8	3/8	11/64	1 7/16	1 15/16	.040	8-32 X 5/8	.80	2-015A XYLAN LOCK COLLAR
-	25	PN-205T	12459	52	20.6	17.5	34.9	9.5	4.4	36.5	49.2	1.02		.36	
1 3/16	-	PN-19T	4381 19488	2.4409 62	7/8 22.2	7/8 22.2	1 19/32 40.5	3/8 9.5	7/32 5.6	1 9/16 39.7	2 3/16 55.6	.040 1.02	8-32 X 5/8	1.2 .54	2-13B XYLAN LOCK COLLAR
1 1/4	-	PN-20RT													
-	30	PN-206T													
1 1/4	-	PN-20T	5782 25720	2.8346 72	1 25.4	15/16 23.8	1 55/64 47.2	7/16 11.1	1/4 6.4	1 3/4 44.5	2 7/16 61.9	.040 1.02	10-24 X 3/4	1.8 .82	2-17A XYLAN LOCK COLLAR
1 3/8	-	PN-22T	5782 25720	2.8346 72	1 25.4	15/16 23.8	1 55/64 47.2	7/16 11.1	1/4 6.4	1 3/4 44.5	2 9/16 65.1	.040 1.02	10-24 X 3/4	1.8 .82	2-17B XYLAN LOCK COLLAR
1 7/16	-	PN-23T													
-	35	PN-207T													
1 1/2	-	PN-24T	7340 32650	3.1496 80	1 3/16 30.2	1 3/32 27.8	2 1/16 52.4	7/16 11.1	19/64 7.5	2 50.8	2 11/16 68.3	.062 1.57	10-24 X 3/4	2.2 1.00	2-19A XYLAN LOCK COLLAR
-	40	PN-208T	7901 35145	3.3465 85	1 3/16 30.2	1 3/32 27.8	2 19/64 58.3	7/16 11.1	19/64 7.5	2 50.8	2 15/16 74.6	.062 1.57	10-24 X 3/4	2.5 1.13	2-111B XYLAN LOCK COLLAR
1 11/16	-	PN-27T													
1 3/4	-	PN-28T													
-	45	PN-209T	7889 35092	3.5433 90	1 9/32 32.5	1 1/8 28.6	2 15/32 62.7	9/16 14.3	17/64 6.7	2 3/32 53.2	3 3/8 85.7	.062 1.57	1/4-20 X 1	3.0 1.36	2-115B XYLAN LOCK COLLAR
1 15/16	-	PN-31T													
2	-	PN-31RT													
-	50	PN-210T	9752 43379	3.937 100	1 5/16 33.3	1 3/16 30.2	2 23/32 69.1	9/16 14.3	19/64 7.5	2 1/4 57.2	3 1/2 88.9	.080 2.03	1/4-20 X 1	3.4 1.54	2-23A XYLAN LOCK COLLAR
2	-	PN-32T													
2 3/16	-	PN-35T													
-	55	PN-211T	9752 43379	3.937 100	1 5/16 33.3	1 3/16 30.2	2 23/32 69.1	9/16 14.3	19/64 7.5	2 1/4 57.2	3 5/8 92.1	.080 2.03	1/4-20 X 1	3.4 1.54	2-23B XYLAN LOCK COLLAR
2 3/8	-	PN-38T	11789 52440	4.3307 110	1 9/16 39.7	1 1/4 31.8	2 63/64 75.8	11/16 17.5	21/64 8.3	2 5/8 66.7	4 1/8 104.8	.080 2.03	5/16 -18 X 1	4.9 2.22	2-27B XYLAN LOCK COLLAR
2 7/16	-	PN-39T													
-	60	PN-212T													

Metric dimensions for reference only.

Not all parts are available from stock. Please contact customer service for availability (800) 626-2120.

For more information on bearing capabilities outside of our standard offering, please contact Application Engineering (800) 626-2093.